



UP TO
93%
ENERGY SAVINGS
T8/T5 Fluorescent & LED Batten Replacement

Chamaeleon™ III

Multi-mode LED luminaire for low occupancy spaces



NEW
smartphone app

Now available with smartphone app!

The latest version of the award winning patented Chamaeleon™ luminaire from lighting innovation company, enLighten Australia, offers new design and functionality improvements, sourced from user feedback across over 1400 project installations nationally.

NEW DESIGN FEATURES

- CHAM App available for Android / iOS
- Plug in enLighten's IR dongle into 3.5 mm audio jack of your phone to connect to the light
- Monthly battery self test capability for emergency models
- Automatic discharge test status verification via multi coloured indicator
- Integrated microwave motion sensor triggers gradual transition between full and standby light output
- Ability to adjust standby light output to provide a customised solution for each site
- Lower standby power consumption – now only 4-5W!
- Smart Connect base for easy installation and removal for maintenance
- Externally accessible drawer for easy battery changeover in emergency versions
- High performance LUMILEDS® LEDs
- Powder coated die cast aluminium body and IK10 rated polycarbonate diffuser
- Vandal proof skirt optional

KEY BENEFITS

- IPART, VEET and REES approved models available
- Download the IR based CHAM App from Google Play / iTunes store to wirelessly control the light settings and features
- Save time and money when performing mandatory discharge test without interrupting normal operation of the light, minimising tenant disruption
- Easier maintenance scheduling due to real time information
- Project payback of 1-3 years for lighting retrofits
- Cost effective NABERS base building rating improvements
- Power factor improvements when replacing fluorescent lighting
- Flexibility to adjust light levels to suit the area
- Streamlined product range for easier specification

APPLICATIONS

- Fire stairs, under-cover car parks, garbage rooms, service corridors and back-of-house areas. Any area that is low-occupancy or is a transit-through space



Australian Designed



5 Year Warranty



Emergency



Wall Mount



Ceiling Mount



App Control



Self Test



Microwave Sensor

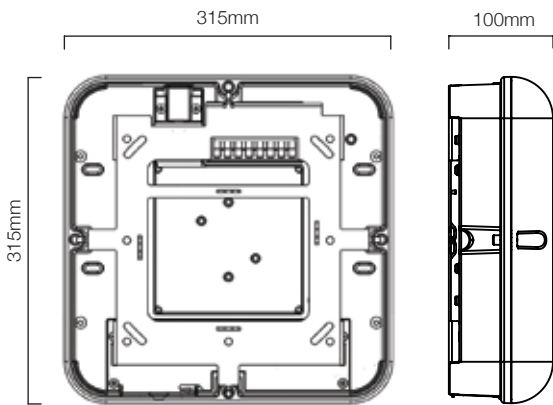


PRODUCT RANGE

Model #	Description	Lumen Output Range			Rated Power (W)		Average Consumption ³ (W)
		Full Light Output (lm)	Full Light Range (%)	Standby Light Range ¹ (%)	Full Light	Standby Light ²	
CHAM-C	Ceiling mount Standard	3500	40-100%	1-90%	42	4	6
CHAM-C-E	Ceiling mount Emergency	3500	40-100%	1-90%	43	5	7
CHAM-W	Wall mount Standard	3300	40-100%	1-90%	42	4	6
CHAM-W-E	Wall mount Emergency	3300	40-100%	1-90%	43	5	7

1. % of full light output; 2. on default setting of 2.5% standby light output; 3. Based on 5% occupancy over 24 hour period

DIMENSIONS



BATTERY SELF TEST FUNCTION

The Chamaeleon emergency light is programmed to automatically conduct a monthly 90 minute discharge test. The test does not disrupt the light's normal operation.

The monthly discharge test result is visible via a single multi colour LED indicator, located under the diffuser.

Indicator colour	Status – light operation
Solid blue ●	Testing in progress (90 mins)
Flashing Blue ☀	Recently tested and complies* Normal state awaiting next discharge test
Flashing yellow ☀	Tested and failed due to faulty LEDs
Flashing red ☀	Tested and failed due to battery

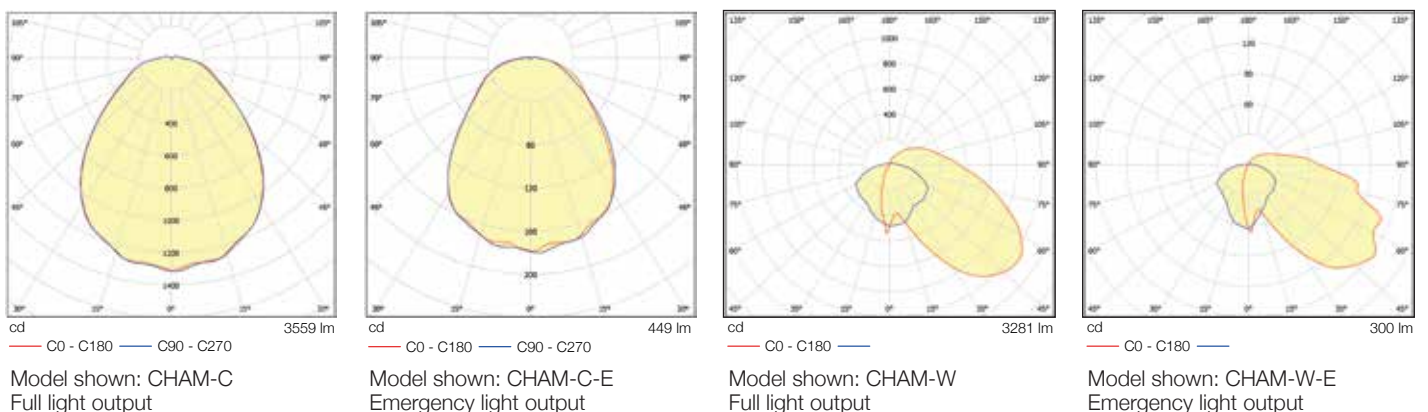
*Following a successful discharge test, the blue flashing light indicator will be mixed with a solid green or red light to show battery charge status (red - charging, green - charged)

COMMISSIONING DISCHARGE TEST

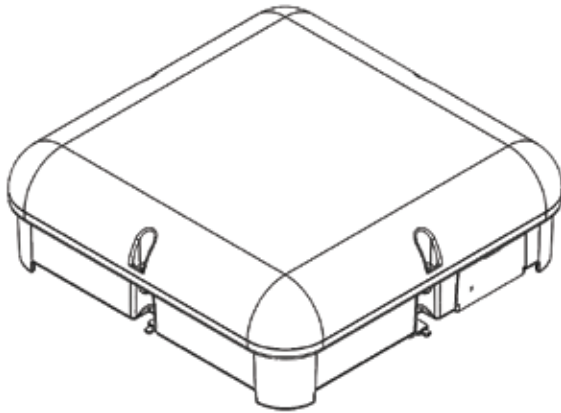
A single 120 minute emergency light commissioning test will be automatically conducted post installation after the battery has charged for 24 hours.

The LED indicator will display as solid red during the initial battery charging 24 hr period, before changing to solid green to indicate that the battery is fully charged and ready for the automatic commissioning test. The commissioning test result options will be the same as for the monthly 90 minute discharge test (see table above)

PHOTOMETRICS



IES Files available for download on request



TECHNICAL SPECIFICATIONS

Optical

Light source	Lumileds LUXEON 3020 LEDs
Lumen output (default)	Full light - 3500lm Standby light - 83lm (=2.5%)
Lumen output range (controlled via smartphone)	Full light 40 - 100% Standby 1 - 90% of full light
Colour rendering index (CRI)	R _a >80
Correlated colour temperature (CCT)	4000K

Electrical

Power consumption (default)	42 - 43W full light output, 4 - 5W at standby
Operating frequency	50/60Hz
Operating voltage range	100 - 264V AC
Power factor	>0.90 / 240V AC at full load

Emergency light

Battery type	9.6V NiMH 1200mAh
Discharge time	90 minutes
Emergency classification	C0: D32, C90: D40

Environmental

IP rating	IP52 standard, IP65 models available
Impact rating	IK10
Weight	4.5kg
Ambient operating temperature range	-10°C to +50°C
Material composition (body)	Powder coated aluminium
Material composition (diffuser)	Polycarbonate
Expected lifespan	>54,000 hours @L ₇₀

Controls - Standard

	5.8GHz Microwave motion sensor
Microwave sensor range	360 deg; max 8m – adjustable
Microwave sensor operating interval	10 sec to 5 min (default setting 15 sec)

Controls – Optional (Smartphone App & Dongle)

Light output range	Full light 40 - 100% Standby 1 - 90% of full light
Microwave sensor operating interval	10 sec to 10 min

Accessories

	Powdercoated zincalume Vandal proof skirt
	Replacement NiMH battery pack

Warranty

	5 years (excl battery) fitting 10 years body
--	---

Data subject to change without notice

COMPLIANCE

The Chamaeleon III range of lights meets or exceeds all relevant standards and regulatory requirements.

For a full compliance and testing list visit www.enlighten.com.au. IES files, warranty, installation and product guides are also available for download.



Sold nationally through major electrical wholesalers.



CHAMAELEON CONTROL SETTINGS GUIDE

Connect and control your Chamaeleon III lights wirelessly via:

- CHAM App available for download on Google Play / iTunes
- IR dongle supplied by enLighten that fits into the 3.5mm audio jack of your smartphone or smart device

The following Chamaeleon III default settings are applicable for most lighting applications:

	Time on (full light output)	Full light output	Standby light output
Default Settings	15 sec	100%	2.5%

CUSTOMISATION OPTIONS

The CHAM App provides the ultimate flexibility to customise light settings specific to site usage / occupancy. The following table may be used as an indicative guide for a variety of back of house areas:

Space / Usage	Time on (full light output)	Full light output	Standby light output
Fire stairs	15 sec	100%	2.5%
Corridors	15 sec	See Spacing Guide ¹	2.5%
Car park driveways	Permanently On/ 5-10 min ²	See Spacing Guide ¹	30-60%
Car park bays	90 sec – 5 min ²	See Spacing Guide ¹	2.5-20%
Plant Rooms	10 min	70-100%	2.5-10%
Public Toilets	5-10 min	40-100%	10%
Utility Tunnels	2-5 min	100%	2.5-10%
Low use areas behind closed doors (eg. store rooms)	1-2 min	40-100%	1%

¹ Available under Technical Documentation on the CHAM App or request access via Login to Secure Zone on www.enlighten.com.au

² Depending on client's request and applicable demographic usage



Main Menu

Light Settings